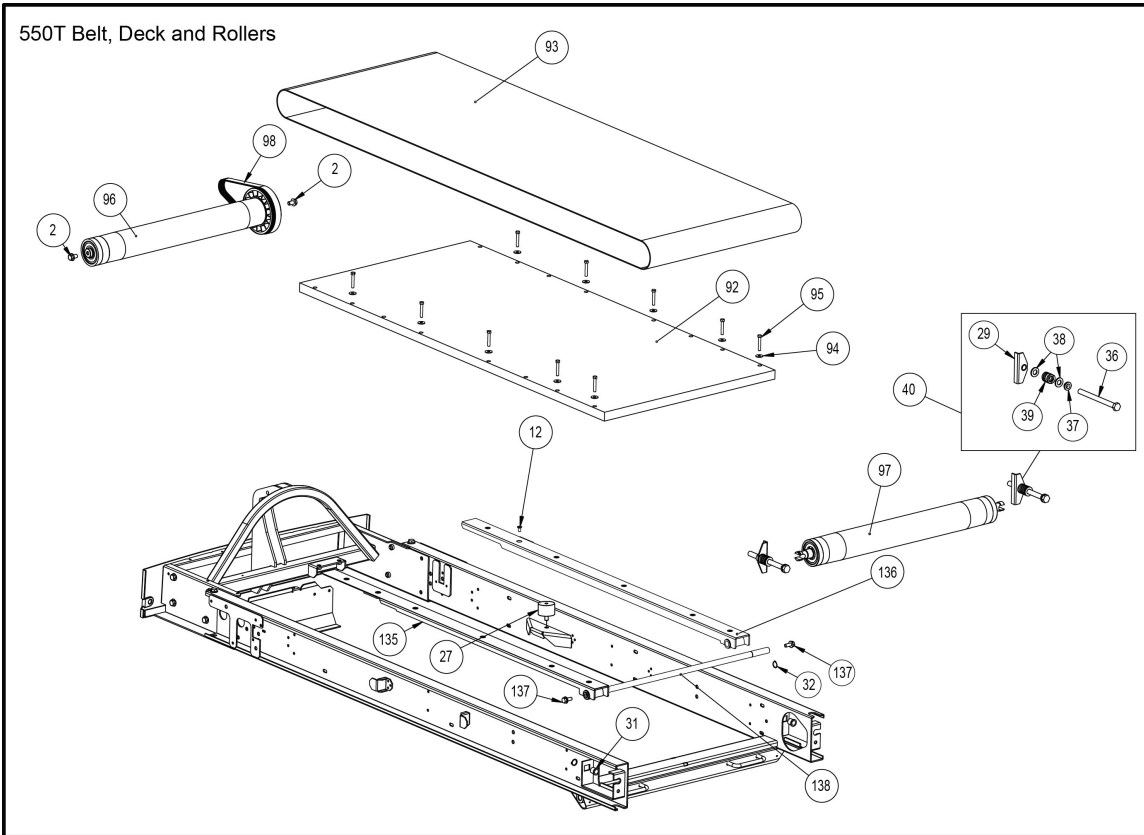


## Part Diagrams

Product Line: Treadmills

Product:

6/6/2013



Bulb #	Part Number	Name	Description	Notes	Price
2	<b>HS-16929</b>	BOLT WHIZ LCK,3-8-16X.625,HXHD,G5			
12	<b>HS-21379</b>	Screw, 1/4 - 20 X .50", FLHD PHIL, Undercut, ZN			
27	<b>HX-19981</b>	BUSHING,DECK 5/16-18 50LBS MAX SHEAR 185 MAX COMP			
29	AF-17591	Nut Holder Bracket			
31	<b>HW-00590</b>	BUSHING,NYLON,1-2 IN			
32	<b>HX-13771</b>	RING,RETAIN,5-8" .579 FR.ID			
36	<b>HS-15480</b>	BOLT TAP,1-2-13X6,HXHD,G5			
37	<b>HB-16367</b>	BUSHING .50IDX.62ODX.31LG,FLANGED			
38	<b>HW-10028</b>	WSHR B 1-2 NARROW ZINC			
39	HX-11049	Spring 1" O.D.360 Max Ld.			
40	<b>AX-16723</b>	Rear Roller Hardware Assembly			
92	<b>DK-16932</b>	Deck, Plywood 23.3 x 51.5 x 1.0", (Double Sided)			
93	<b>BD-17026</b>	Belt, Running, 20.63 x 60", Commercial			

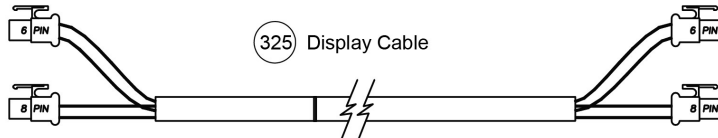
94	<b>HW-00431</b>	WSHR USS 1-4X.75X.062 ZN			
95	<b>HS-16628</b>	BOLT,1-4-20X1.5,HXHD,G8			
96	<b>AL-19035</b>	Roller, Front Ass			
97	<b>AL-19036</b>	Roller, Rear Assy			
98	<b>BD-16829</b>	Drive, Belt, 8 Rib			
135	<b>AX-19437</b>	Assembly, Deck Stiffener, Pivot, Lef			
136	<b>AX-19734</b>	Assembly, Deck Stiffener, Pivot, Right			
137	<b>HS-19108</b>	SCREW 5-16-18X3-4LG,HXHD,WHIZ-LOCK,GR5			
138	FM-19439	Shaft, Deck Pivot			

## Part Diagrams

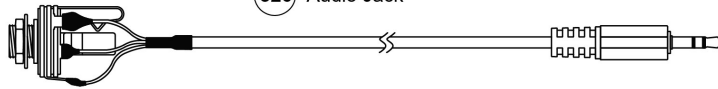
Product Line: Treadmills

Product:

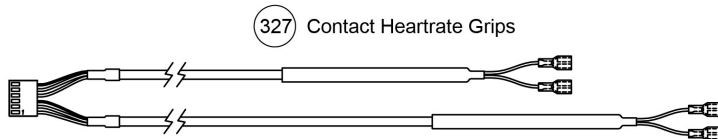
### 550T Console Cables



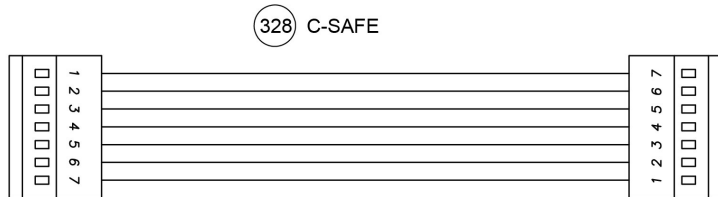
325 Display Cable



326 Audio Jack



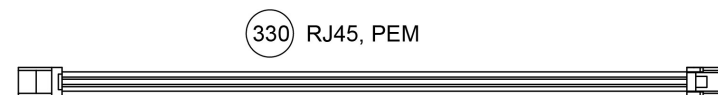
327 Contact Heartrate Grips



328 C-SAFE



329 A/V Keypad Extension



330 RJ45, PEM

Bulb #	Part Number	Name	Description	Notes	Price
325	AW-16561	Cable, Univ. Tread Display			
326	AW-17694	Cable and Audio Jack, 1/4 to 3.5 mm			
327	AW-17706	Cable, Contact HR?Grip			
328	AW-17732	Cable, 4 Ribbon C-SAFE			
329	AW-19502	Cable, AV Keypad Extension			
330	AW-20111	Cable, E5, RJ45			

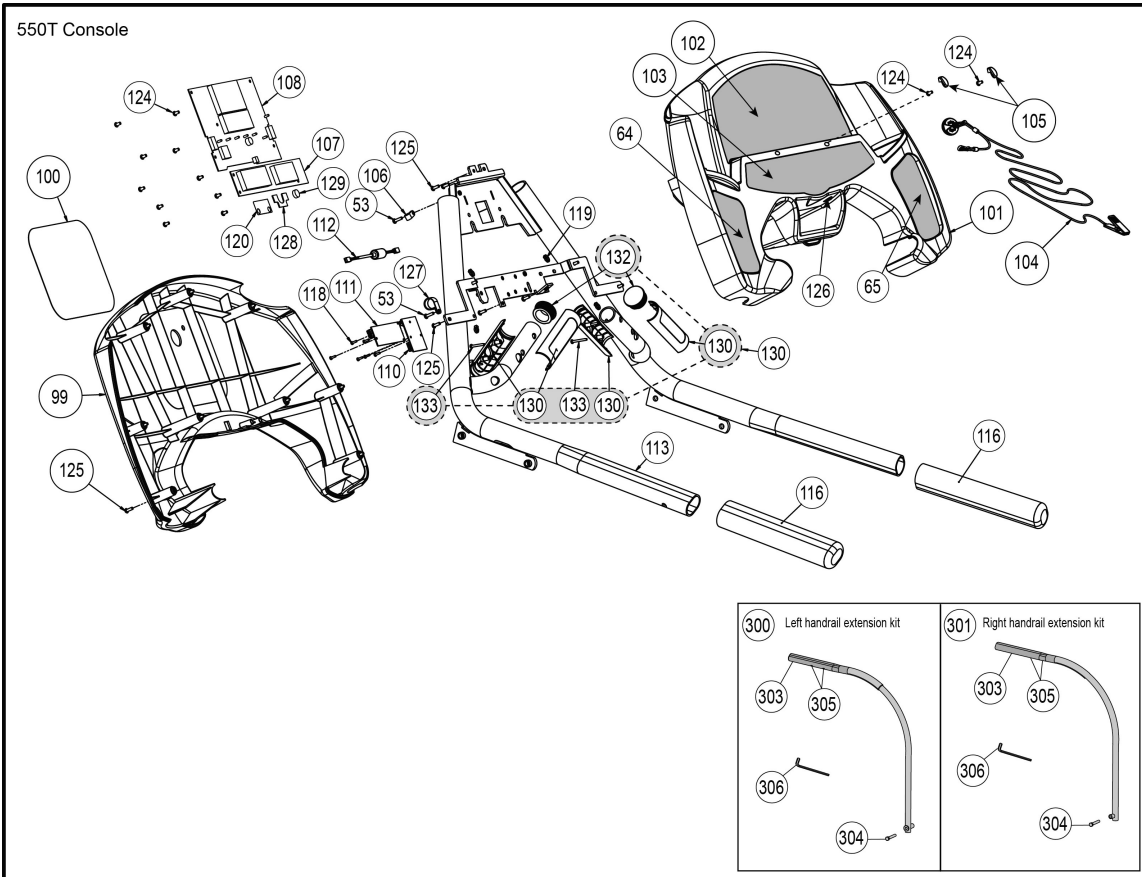


6/6/2013

## Part Diagrams

Product Line: Treadmills

Product:



Bulb #	Part Number	Name	Description	Notes	Price
53	HS-15732	SCREW, SEMS, 8-32 UNC X .62", PNHD, PHIL			
64	DE-17693-1	Label, Start Instructions, Profiles		German	
64	DE-17693-2	Label, Start Instructions, Profiles		French	
64	DE-17693-3	Label, Start Instructions, Profiles		Spanish	
64	DE-17693-4	Label, Start Instructions, Profiles		English	
64	DE-17693-6	Label, Start Instructions, Profiles		Japanese	
64	DE-17693-7	Label, Start Instructions, Profiles		Swedish	
64	DE-17693-8	Label, Start Instructions, Profiles		Russian	
64	DE-17693-A	Label, Start Instructions, Profiles		Danish	
65	SW-21287-4	Membrane, A/V, All languages		Englis	
65	DE-18135-1	Label, HR Zone, Heart Icons		Germa	
65	DE-18135-2	Label, HR Zone, Heart Icons		French	

65	DE-18135-3	Label, HR Zone, Heart Icons		Spanish	
65	DE-18135-4	Label, HR Zone, Heart Icons		English	
65	DE-18135-6	Label, HR Zone, Heart Icons		Japanese	
65	DE-18135-7	Label, HR Zone, Heart Icons		Swedish	
65	DE-18135-8	Label, HR Zone, Heart Icons		Russian	
65	DE-18135-A	Label, HR Zone, Heart Icons		Danish	
99	<b>PL-17659</b>	Console, Back, Plastic			
100	DE-17712	Decal, Logo, Cybex Intl, 9 x 7			
101	<b>PL-17658</b>	Front Console, Plastic			
102	SW-21227-1	Membrane, 550T, Top		Germa	
102	SW-21227-2	Membrane, 550T, Top		French	
102	SW-21227-3	Membrane, 550T, Top		Spanish	
102	<b>SW-21227-4</b>	Membrane, 550T, Top		English	
102	SW-21227-6	Membrane, 550T, Top		Japanese	
102	SW-21227-7	Membrane, 550T, Top		Swedish	
102	SW-21227-8	Membrane, 550T, Top		Russian	
102	SW-21227-A	Membrane, 550T, Top		Danish	
103	SW-21228-1	Membrane, 550T, Bottom		German	
103	<b>SW-21228-2</b>	Membrane, 550T, Bottom		French	
103	SW-21228-3	Membrane, 550T, Bottom		Spanish	
103	<b>SW-21228-4</b>	Membrane, 550T, Bottom		English	
103	SW-21228-6	Membrane, 550T, Bottom		Japanese	
103	SW-21228-7	Membrane, 550T, Bottom		Swedish	
103	SW-21228-8	Membrane, 550T, Bottom		Russian	
103	SW-21228-A	Membrane, 550T, Bottom		Danish	
104	<b>AX-20943</b>	Lanyard, E-stop Assembly			
105	PL-17686	Tab, Book Holder			
106	HX-16931	Clamp, Cable, 5-16 dia Standard			
107	AD-21226	PCA, 550T, Lower Display			
108	<b>AD-21225</b>	PCA, 550T, Upper Display			
110	<b>AD-19366</b>	PCA, CSAFE Port Board, W-TVS			
111	EC-17763	PCA Salutron Serial Output			
112	<b>AW-17707</b>	Cable, CHR to display with ferrite			
113	AF-17684	Handrail, Weldment			
116	<b>HX-15499</b>	Grip Handlebar			
118	HS-10716	SCREW,4-40X0.38,PNHD PHIL			
119	EH-00472	CABLE TIE,3.9IN			
120	FS-16841	Mount, E-stop Magnet			
124	<b>HS-41187</b>	SCREW SLFTP,8-16X.3125,PLASTITE			
125	<b>HS-15706</b>	Screw,8/16X.50,PNHD,STL,BLK ZN			

126	HX-17711	Plug, Plastec, 7/16, <b>Black</b>			
127	HX-19040	Clamp, Cable, 3/4" Diameter			
128	HX-17697	Tape, Double Sided, Die Cut, .062", Thick			
129	<b>HX-16842</b>	Magnet, E-stop			
130	<b>SK-17827</b>	Assembly, Contact Grip, Pair			
132	PL-20360	Endcap, Heartrate Grip			N/A
133	<b>HS-20306</b>	SCREW,6-20X1.12 PNHD PHIL			
300	AX-17174	Handrail Extension Kit, Left Only - Complete kit with instructions			
301	AX-17175	Handrail Extension Kit, Right Only Complete kit with instructions			
303	HX-16852	Handrail Extension, Grip5			
304	HS-16921	Handrail Extension, Bolt, 5/8-11 x 4.75, Bottom hardware			
305	HS-16935	Handrail Extension, Screw, Set 1/2 13 x 1/2, Top Hardware			
306	HX-00438	HEX KEY 3-16 IN.			

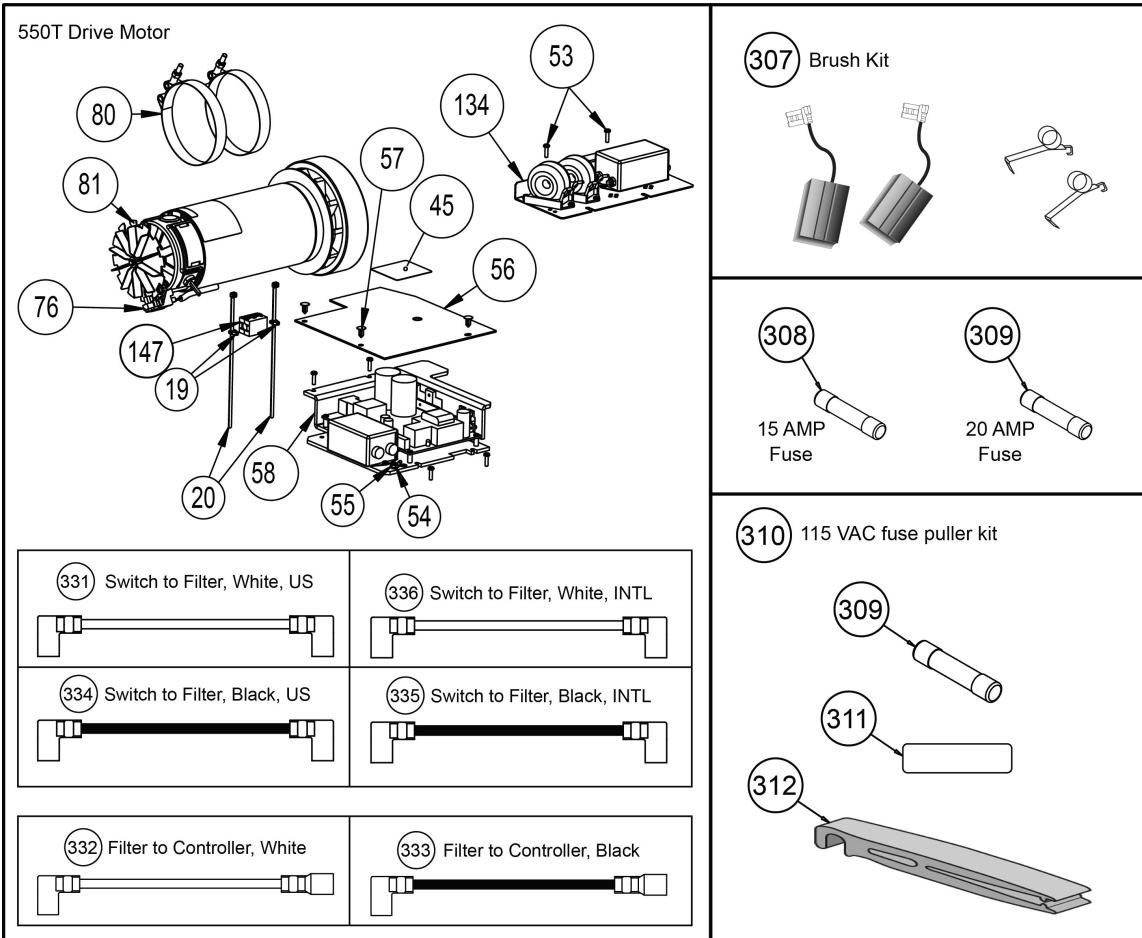


6/6/2013

## Part Diagrams

Product Line: Treadmills

Product:



Bulb #	Part Number	Name	Description	Notes	Price
19	EH-10291	TY WRAP BASE			
20	EH-00986	TY WRAP,T B TYB-25M 9 IN			
45	DE-17144-1	Decal, International only		GERMAN	
45	DE-17144-2	Decal, International only		FRENCH	
45	DE-17144-3	Decal, International only		SPANISH	
45	DE-17144-6	Decal, International only		JAPANESE	
45	DE-17144-7	Decal, International only		SWEDISH	
45	DE-17144-8	Decal, International only		RUSSIAN	
52	<b>EC-18896</b>	FILTER,16A			
52	<b>EC-19869</b>	Filter, 20 Amp			
53	HS-15732	SCREW, SEMS, 8-32 UNC X .62", PNHD, PHIL			

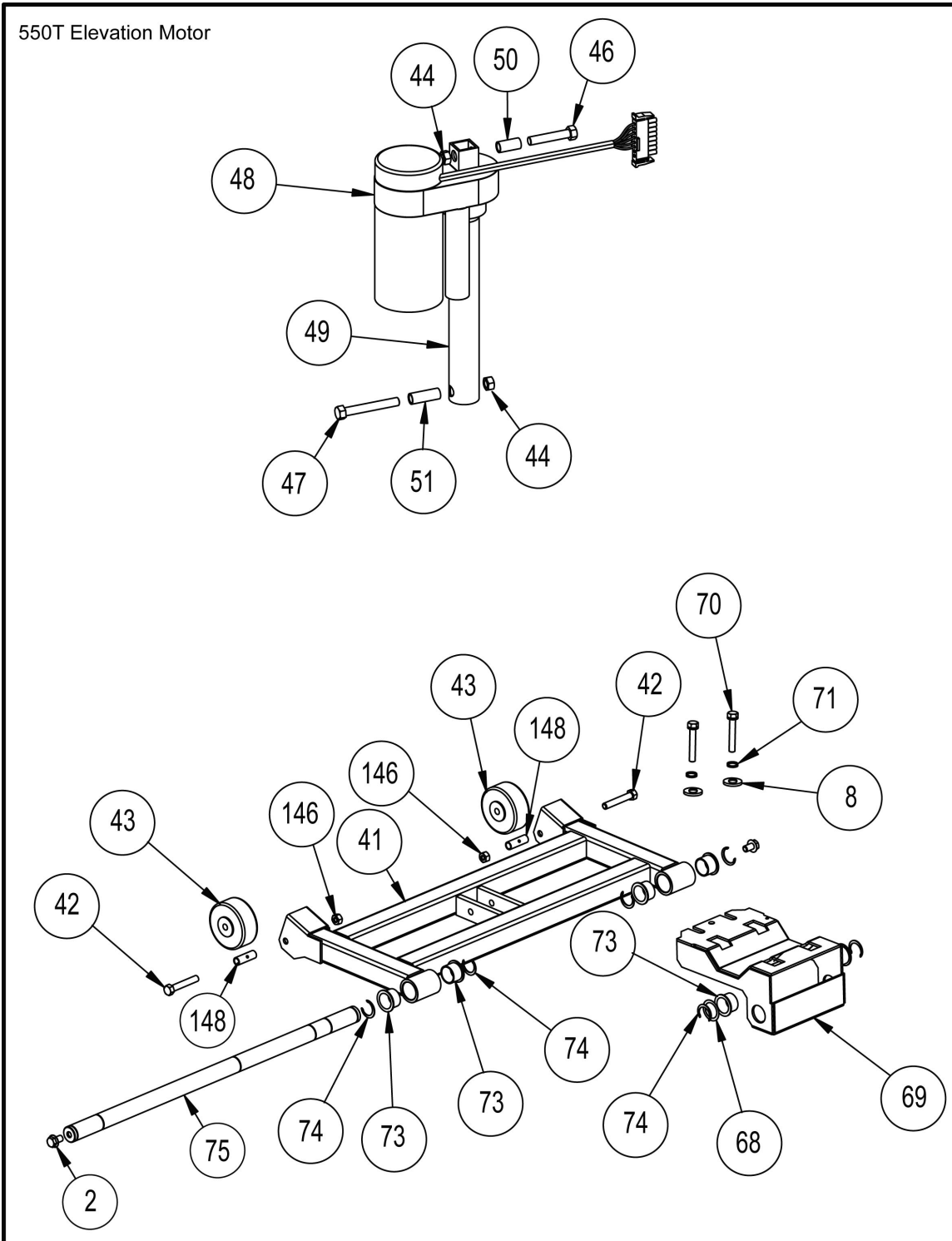


54	<b>HW-10856</b>	WASHER, LOCK, EXTERNAL, NO. 10			
55	HN-11925	KEPS,10-32 HEX STL ZN			
56	<b>PL-17052-4</b>	Cover, Lower Controller (Includes DE-17144 in English)		ENGLISH	
57	HX-16943	Clip, Christmas Tree, Single Head			
58	<b>SK-17251</b>	Service Kit, Lower Controller, 230 VAC, 50 Hz			
58	KAX-16836	Service Kit, Lower Controller, 220 VAC, 60 Hz			
58	<b>KAX-23130</b>	Service Kit, Lower Controller, 115 VAC, 60 Hz			
76	<b>EC-22370</b>	Speed Sensor, with cable			
80	<b>AF-19605</b>	Clamp, Motor Drive (includes nut)			
81	<b>KSK-19996</b>	Drive Motor, 3.0HP, 110 VDC, McMillan			
81	<b>KSK-19997</b>	Drive Motor, 3.0HP, 220 VDC, McMillan			
134	<b>AX-16812</b>	Power Factor Correction Assembly			
147	EC-15004	FERRITE CLAMP-ON .40 ID			
307	<b>SK-18554</b>	Kit Brush, McMillan, 3.0HP, 115 VAC or 220 VAC			
308	EF-19632	Kit,Fuse Replacement 250 VAC, 15A, Slow Blow			
309	<b>EF-21813</b>	Fuse, 20A, 250 VAC, 0.25 x 1.25", Fast acting			
310	KEF-21820	Kit,Fuse Replacement 115 VAC, 20A, Quick Blow			
311	DE-21815	LABEL, <b>EF-21813</b> FUSE			N/A
312	HT-21836	FUSE PULLER,3AG			N/A
331	<b>AW-16572</b>	Jumper, Switch-Filter, White, US			
332	<b>AW-16578</b>	Jumper, Filter-cntl, White			
333	<b>AW-16579</b>	Jumper, Filter-cntl, <b>Black</b>			
334	<b>AW-16938</b>	Jumper, Switch-Filter, <b>Black</b> , US			
335	AW-17163	Jumper, Switch-Filter, <b>Black</b> , Intl.			
336	AW-17164	Jumper, Switch-Filter, White. Intl.			

## Part Diagrams

Product Line: Treadmills

Product:



Bulb #	Part Number	Name	Description	Notes	Price
2	<b>HS-16929</b>	BOLT WHIZ LCK,3-8-16X.625,HXHD,G5			
8	HW-19634	Washer Flat .344 IDX1.0ODX.125TH			
41	AF-16382	Elevation, Weldment			
42	HS-60022	BOLT,3-8X2.25,HXHD CAP,BLK ZN,G5			
43	<b>CW-22240</b>	WHEEL,80MM DIA X 32MM W			
44	HN-17935	NUT LOCK,3-8-24,GRD C,STL,ZN			
46	<b>HS-17936</b>	BOLT,3-8-24X2.0,HXHD CAP,G8,YEL ZN			
47	<b>HS-17937</b>	BOLT,3-8-24X2.75,HXHD CAP,G8,YEL ZN			
48	<b>MR-16412</b>	Motor, Elevation, 115 VAC			
48	<b>MR-16541</b>	Motor, Elevation, 230 VAC			
49	SK-17079	Tube Nut, Motor, Elevation Kit			
50	<b>FT-16825</b>	SLEEVE,ELEVATION MOUNTING, TOP			
51	FT-16826	SLEEVE,ELEVATION MOUNTING,BTM			
68	HW-40004	Washer, Wave			
69	<b>AX-18883</b>	Motor Base Plate Assy			
70	HS-16849	Screw, 5/16 - 18 x 2.0", LG HXHD, GR5, Tap			
71	<b>HW-00165</b>	Washer, Split Lock, 5/16, ZINC			
73	HB-16426	Bushing, Flanged,1.0ID x 1.12OD x .75LG			
74	HX-16425	Ring, Retaining Ext Crescent			
75	FT-16352	Shaft, Motor Mount			
146	<b>HN-60064</b>	NUT JAM 3-8IN.-16 BLK ZN			
148	HX-22247	BUSHING,SPANNER,.500 OD X 1.5"L			

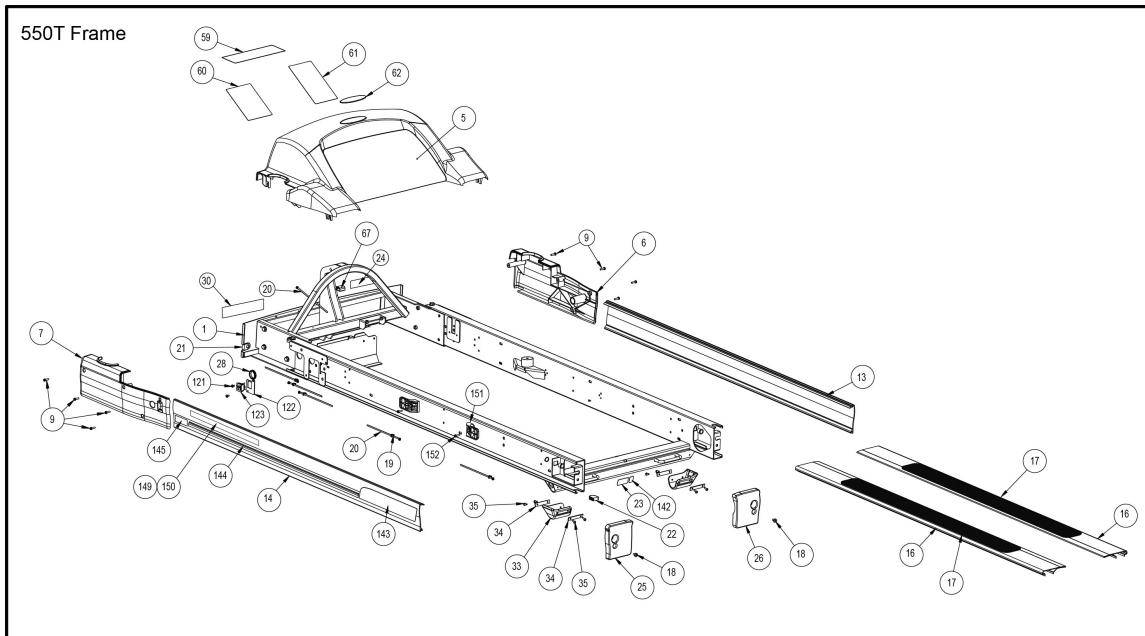


6/6/2013

## Part Diagrams

Product Line: Treadmills

Product:



Bulb #	Part Number	Name	Description	Notes	Price
1	KAX-21627	Frame, Weldment Kit			
5	AX-16724-1	Motor Cover assembly		German	
5	AX-16724-2	Motor Cover assembly		French	
5	AX-16724-3	Motor Cover assembly		Spanish	
5	AX-16724-4	Motor Cover assembly		English	
5	AX-16724-6	Motor Cover assembly		Japanese	
5	AX-16724-7	Motor Cover assembly		Swedish	
5	AX-16724-8	Motor Cover assembly		Russian	
5	AX-16724-A	Motor Cover assembly		Danish	
6	PL-16465	Cover, Upright Outer, Right			
7	PL-16464	Cover, Upright Outer, Left			
9	HS-16939	Screw, SEMS,10/32 x .75, PNHD, BLK ZN, EXT			
13	AX-21309	Side Extrusion Assy, Cybex Pro3, Right			
14	AX-21308	Side Extrusion Assy, Cybex Pro3, Left			
16	SCK-17829	Top Platform Assy, (Choose a Standard or Custom Color)			
17	DE-16705	Decal, Safety-walk			
18	HS-16875	BOLT SEMS,1-4-20X.5,PNHD			
19	EH-10291	TY WRAP BASE			

20	EH-00986	TY WRAP,T B TYB-25M 9 IN			
21	PL-16737	Grommet, Power Cor			
22	PL-16738	Plug, Power Cord			
23	DE-16992	Decal, ETL UL-1647 Only			
24	DE-14486	Decal, Serial Number			
25	SCK-16496	End Cap, Left, (Choose a Standard or Custom Color)			
26	SCK-16497	End Cap, Right, (Choose a Standard or Custom Color)			
28	EH-16809	GROMMET,1.12X.091-.125 NYLON			
30	DE-20427	Label, Disconnect Power, Multilingual			
33	HX-16510	FOOT,RUBBER,REAR			
34	FS-16511	PLATE,REAR RUBBER FOOT MNT			
35	HS-16509	SCREW SLFTP, 10 X .5 , PNHD, PLT, TYP B, PT-S			
59	DE-16608-1	Label, Brush Replacement Gauge		German	
59	DE-16608-2	Label, Brush Replacement Gauge		French	
59	DE-16608-3	Label, Brush Replacement Gauge		Spanish	
59	DE-16608-4	Label, Brush Replacement Gauge		English	
59	DE-16608-6	Label, Brush Replacement Gauge		Japanese	
59	DE-16608-7	Label, Brush Replacement Gauge		Swedish	
59	DE-16608-8	Label, Brush Replacement Gauge		Russian	
59	DE-16608-A	Label, Brush Replacement Gauge		Danis	
60	DE-16610-1	Label, Error Codes		German	
60	DE-16610-2	Label, Error Codes		French	
60	DE-16610-3	Label, Error Codes		Spanish	
60	DE-16610-4	Label, Error Codes		English	
60	DE-16610-6	Label, Error Codes		Japanese	
60	DE-16610-7	Label, Error Codes		Swedish	
60	DE-16610-8	Label, Error Codes		Russian	
60	DE-16610-A	Label, Error Codes		Danis	
61	DE-16609-1	Label, Service Schedule		German	
61	DE-16609-2	Label, Service Schedule		French	
61	DE-16609-3	Label, Service Schedule		Spanish	
61	DE-16609-4	Label, Service Schedule		English	
61	DE-16609-6	Label, Service Schedule		Japanese	
61	DE-16609-7	Label, Service Schedule		Swedish	
61	DE-16609-8	Label, Service Schedule		Russian	
61	DE-16609-A	Label, Service Schedule		Danish	
62	DE-19198	DECAL,CYBEX LOGO			
67	HX-14416	CLIP,WIRE LATCHING,1X1			
121	HS-16940	Screw, Sems 10-32 x 3/8", PNHD ext, BL ZN			
122	FS-16990	Plate, Switch, Power On-Off			

123	<b>SW-10523</b>	Switch, On-Off			
142	DE-19451	Decal, WEEE Symbol			
143	DE-17714	Decal, Cybex, 13.8 X 2.2			
144	DE-16784	Decal, Side Stripe			
145	DE-21275	Cybex Pro3 Decal for Side Extrusions			
149	DE-22327	LABEL, <b>BLACK</b> ,INTELLIGENT SUSPENSION 3			
150	DE-22328	LABEL,SILVER,INTELLIGENT SUSPENSION 3			
151	PL-22129	Bracket,Power cord storage, Plastic			
152	<b>HS-22137</b>	Bolt, 1/4-14 x 1.25",HXHD Washer,TYP AB,STL ZN			



6/6/2013

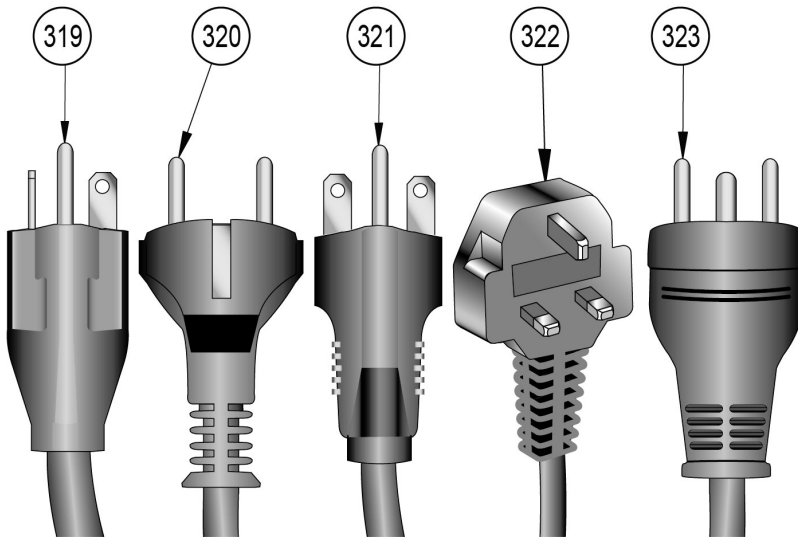
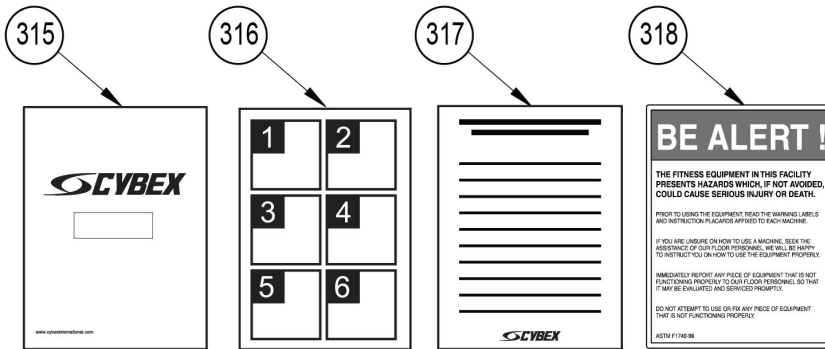
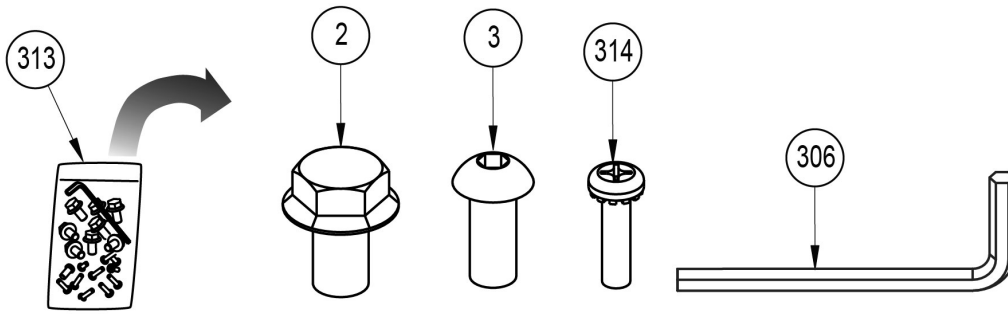
## Part Diagrams

Product Line: Treadmills

Product:

Bulb #	Part Number	Name	Description	Notes	Price
2	<b>HS-16929</b>	BOLT WHIZ LCK,3-8-16X.625,HXHD,G5			
3	HS-16950	Screw, 5/16 - 18 x 7/8", Lg H x Soc BTNHD w/patch, B-Zn			
306	HX-00438	HEX KEY 3-16 IN.			
313	AX-16956	Kit, Install Hardware			
314	<b>HS-16939</b>	Screw, SEMS,10/32 x .75, PNHD, BLK ZN, EXT			
315	LT-21311-1	Owners Manual		German	N/A
315	LT-21311-2	Owners Manual		French	N/A
315	LT-21311-3	Owners Manual		Spanish	N/A
315	LT-21311-4	Owners Manual		English	
315	LT-21311-6	Owners Manual		Japanese	N/A
315	LT-21311-7	Owners Manual		Swedish	
315	LT-21311-8	Owners Manual		Russian	N/A
316	LT-17718	Poster, Assembly			
317	LT-21312	Warranty Sheet, Cybex Pro3, Pink			N/A
318	LT-03051	SIGN FACILITY SAFETY			
319	<b>AW-16640</b>	Power Cord, 115 VAC, 60HZ			
320	<b>AW-16638</b>	Power Cord, 230 VAC, 50Hz			
321	<b>AW-16639</b>	Power Cord, 220 VAC, 60Hz			
322	AW-19523	Power Cord, 230 VAC, 50Hz, 13A, UK			
323	AW-22230	Power Cord, 250 VAC, 13A, Danish			

550T Hardware and Manual

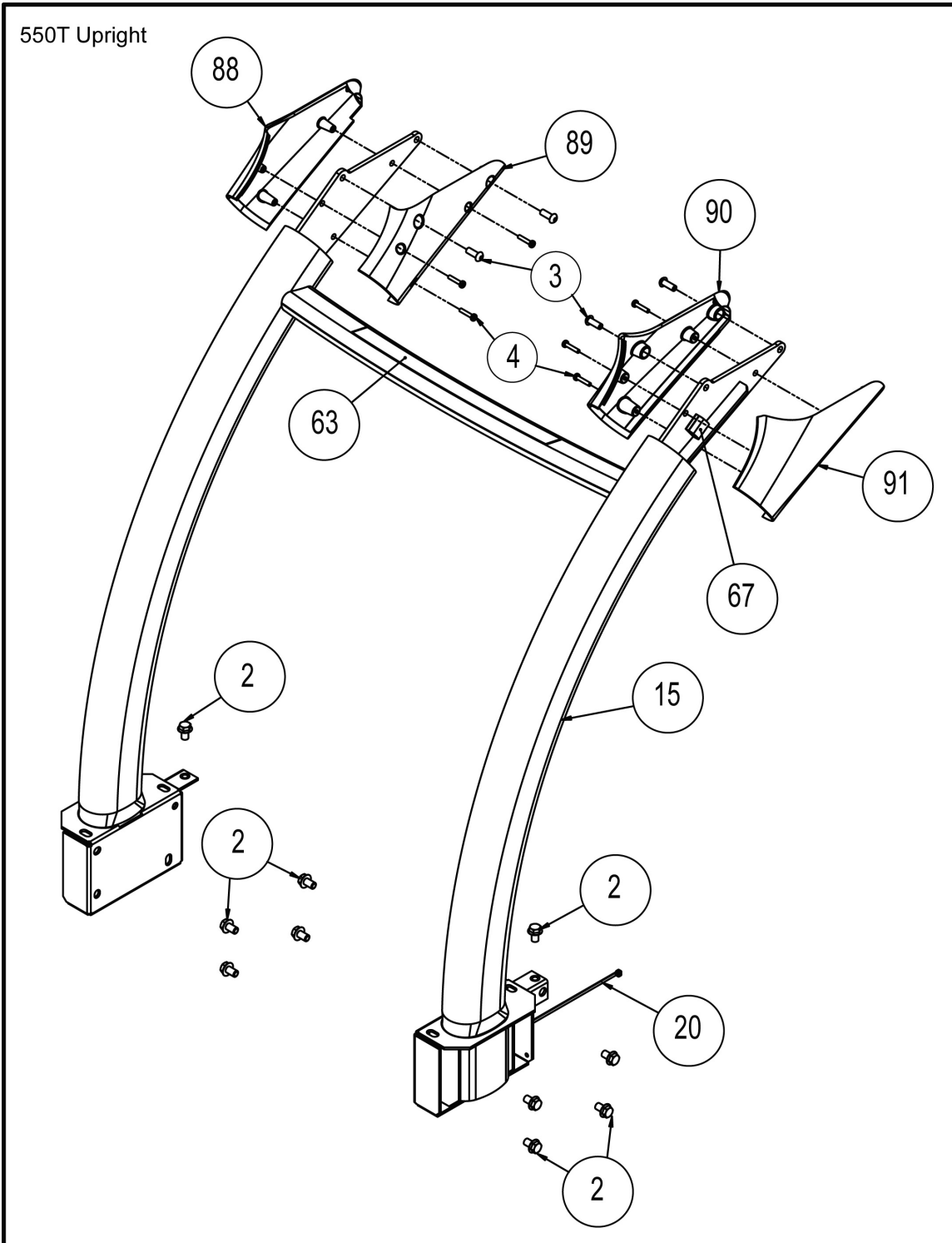




## Part Diagrams

Product Line: Treadmills

Product:



Bulb #	Part Number	Name	Description	Notes	Price
2	HS-16929	BOLT WHIZ LCK,3-8-16X.625,HXHD,G5			
3	HS-16950	Screw, 5/16 - 18 x 7/8", Lg H x Soc BTNHD w/patch, B-Zn			
4	HS-19454	Screw, SEMS, 10-32 X 1.0", PNHD, BLK ZN, EXT			
15	SCK-17677	Upright Weldment (Choose a Standard or Custom Color)			
20	EH-00986	TY WRAP,T B TYB-25M 9 IN			
63	DE-17691-1	Label, User Precautions, 15 x 1.3		German	
63	DE-17691-2	Label, User Precautions, 15 x 1.3		French	
63	DE-17691-3	Label, User Precautions, 15 x 1.3		Spanish	
63	DE-17691-4	Label, User Precautions, 15 x 1.3		English	
63	DE-17691-6	Label, User Precautions, 15 x 1.3		Japanese	
63	DE-17691-7	Label, User Precautions, 15 x 1.3		Swedish	
63	DE-17691-8	Label, User Precautions, 15 x 1.3		Russian	
63	DE-17691-A	Label, User Precautions, 15 x 1.3		Danish	
67	HX-14416	CLIP,WIRE LATCHING,1X1			
88	SCK-16379	Cover, Junction Outer, Right, (Choose a Standard or Custom			
89	SCK-16380	Cover, Junction Inner, Right, (Choose a Standard or Custom Color)			
90	SCK-16328	Cover, Junction Inner, Left, (Choose a Standard or Custom Color)			
91	SCK-16327	Cover, Junction Outer, Left, (Choose a Standard or Custom Color)			